

# PneumaSeal™

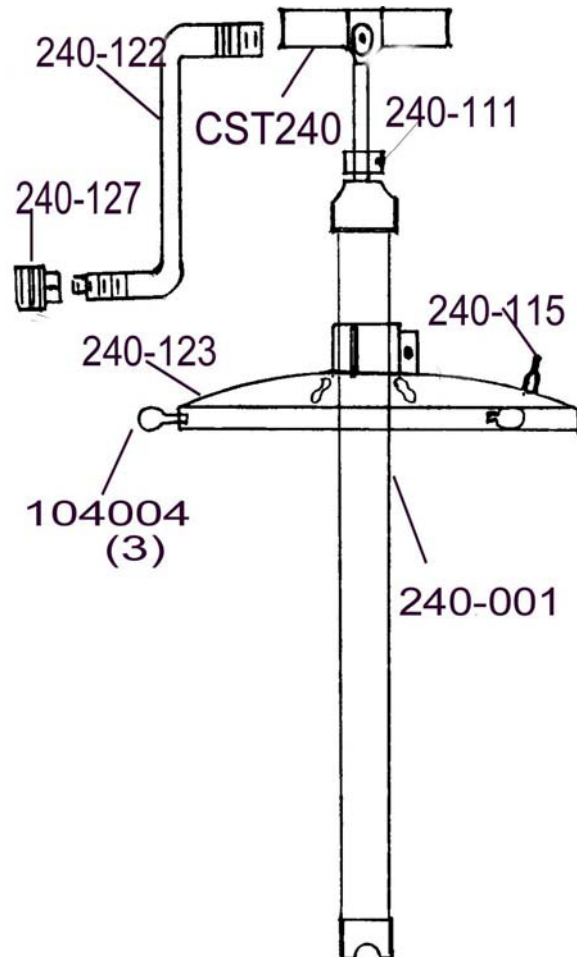
PneumaSeal Products Division of Kor-Chem, Inc. · 5800 Bucknell Drive, Atlanta GA 30336  
Toll Free: 1-800-752-6627 · Phone: 404-344-9580 · Fax: 404-349-2240

## PneumaSeal™ Tire Sealant Pail Pump #700409

### INSTALLATION INSTRUCTIONS

The PneumaSeal tire sealant pump comes in 3 major parts: T handle pump body (240-001), cover (240-123) and hose and connector assembly (240-122).

- A. Insert 240-001 pump body through 240-123 cover.
- B. Place cover on container of tire sealant compound, pushing pump to bottom of container. Tighten 104004 (3-ea.) thumbscrew on outer edge of 240-123. Tighten locking collar screw on 240-123 cover.
- C. Attach 240-121 hose to female outlet in T-handle to complete assembly.



This pump is manufactured from bare carbon steel and will readily rust or otherwise corrode when exposed to materials containing water or other corrosion causing substances. Our two-year warranty against defects in material or workmanship **DOES NOT** cover any pump showing evidence of rust or corrosion.

| <u>Part Number</u> | <u>Description</u>  |
|--------------------|---|
| 240-001            | Pump Assembly   |
| 240-111            | Set Screw Collar  |
| 240-115            | Return Valve for Cover  |
| 240-122            | 5 ft. clear vinyl hose with 3/8" NPT and 1/4" NPT to use with 240-127 quick coupler |
| 240-123            | Cover Assembly (1 1/4" ID) with hole for 240-115 return valve                       |
| 240-127            | Quick Connect Coupler 1/4" NPT (F)  |
| 104004 (3)         | Thumb screw for cover   |